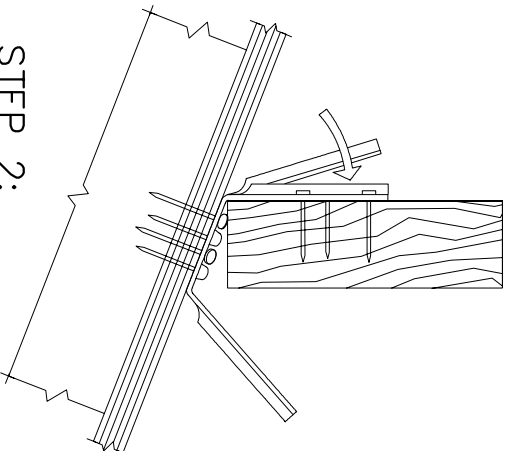


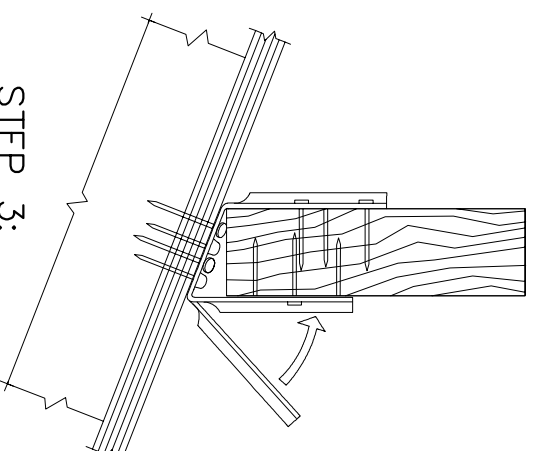
STEP 1:

ALIGN THE CENTERLINE OF VTC2 WITH THE COMMON TRUSS TOP CHORD CENTERLINE. ATTACH THROUGH THE ROOF SHEATHING TO THE COMMON TRUSS TOP CHORD



STEP 2:

ADJUST THE UPSLOPE STIRRUP VERTICALLY AND ATTACH TO VALLEY TRUSS BOTTOM CHORD.



STEP 3:

ADJUST THE DOWNSLOPE STIRRUP VERTICALLY AND ATTACH TO BOTTOM CHORD.

BEND STIRRUPS ONE TIME ONLY