

WINDOW FLASHING

A GUIDE TO INSTALLATION

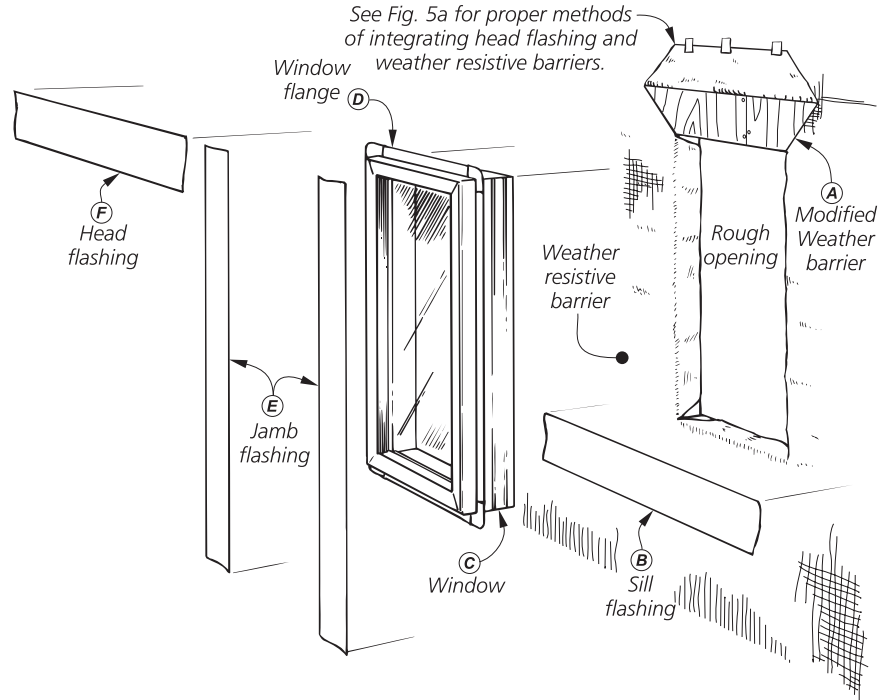
METHOD "A1"

SELF ADHESIVE FLASHING

The "Method A1", installation guide is designed for integral flanged window applications, where the window is installed after the weather resistive barrier is applied. **Fortifiber**® provides this Window Flashing Installation Guide to assist installers by demonstrating an efficient and effective method for exterior flashing installation. Compliance with the building code and proper installation are critical in reducing potential water leakage points.

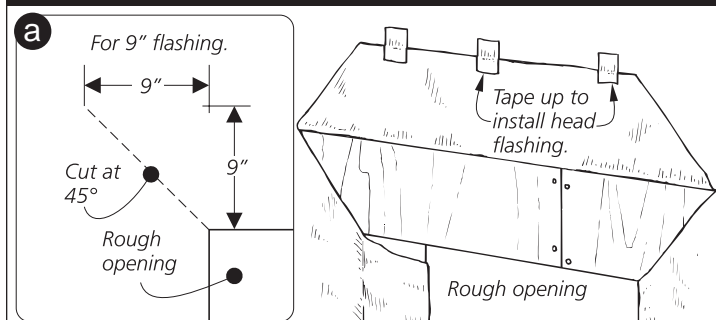
The following Fortifiber flexible window flashing products are acceptable for this method:

- **Moistop E-Z Seal® Self Adhesive Flashing**
6, 9, 12 inch x 75' rolls
- **FortiFlash™ Self Adhesive Waterproof Flashing Membrane**
4, 6, 9, 12, 18, 36 inch x 75' rolls
- **Moistop® Polyurethane Sealant (AAMA Approved)**



For further assistance, please call our technical hotline at, (800) 773-4777.

1 MODIFY WEATHER BARRIER



Make the following diagonal cuts at the top of the rough opening corners. Example: For 9" flashing measure as follows: 9" up and 9" over, 45° angle (1a). Cut on the diagonal from marked point to the rough opening corner. Gently raise the top edge of the weather barrier and tape the corners and the center to the barrier surface above. This will allow for the installation of the window and the jamb and head flashing later.

2 SILL FLASHING

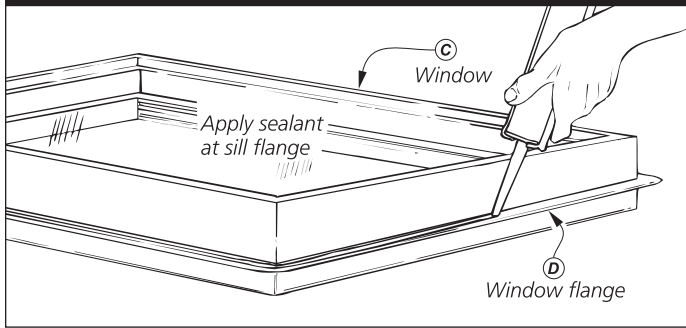


Cut the sill flashing long enough to extend beyond the jamb flashing pieces to be applied later. Wipe the surface of the weather barrier with a clean rag to ensure proper adhesion. Remove the release paper and press the sill flashing in place so that the edge of the flashing's adhesive is level with the top edge of the rough opening.

CONTINUED ON BACK...

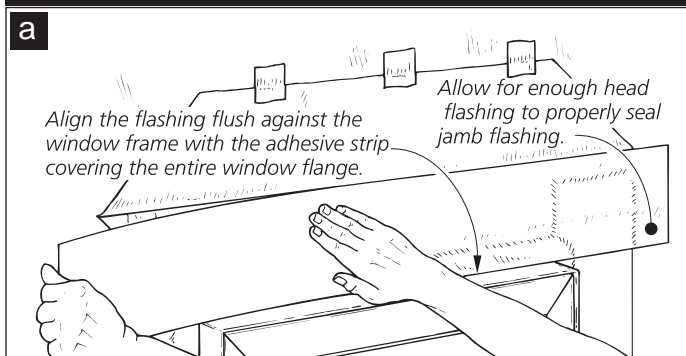
CONTINUED FROM FRONT...

3 WINDOW INSTALLATION

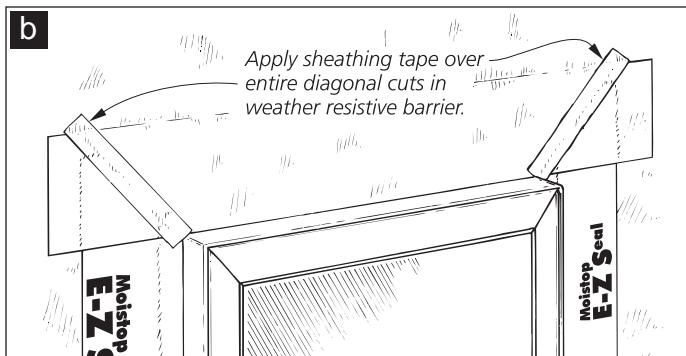


Before installing the window, apply a continuous bead of **Moistop® Sealant** to the backside (interior) of the mounting flange. Install the window according to the window manufacturer's instructions.

5 HEAD FLASHING

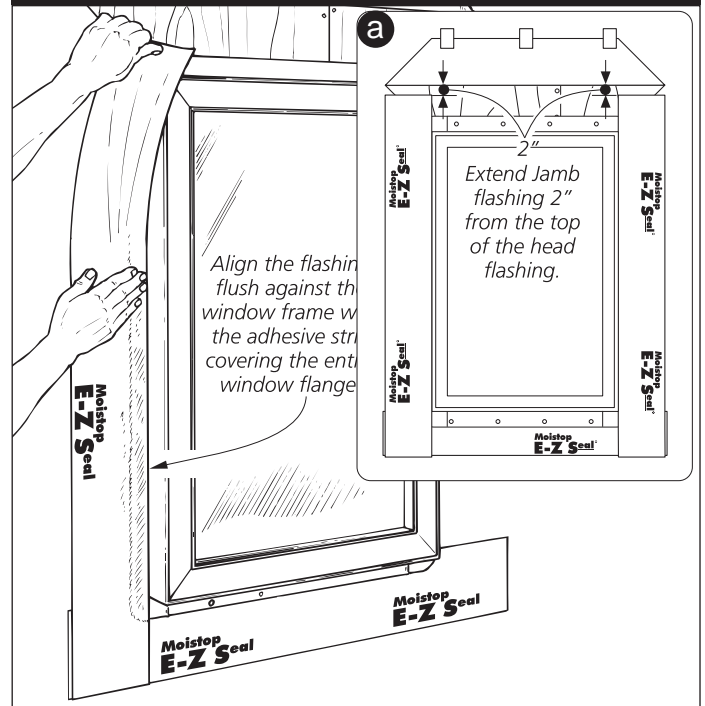


Wipe the head flange, jamb flashing, weather barrier, and sheathing with a clean rag. Cut a piece of flashing long enough to ensure that the head flashing extends properly beyond the jamb flashing. Install the head flashing by pressing firmly in place in one direction to prevent voids.



Finally, allow the flap of the weather resistive barrier at the head to lay flat over the head flashing. Apply a new piece of sheathing tape over the entire diagonal cut made in the weather resistive barrier and press firmly in place.

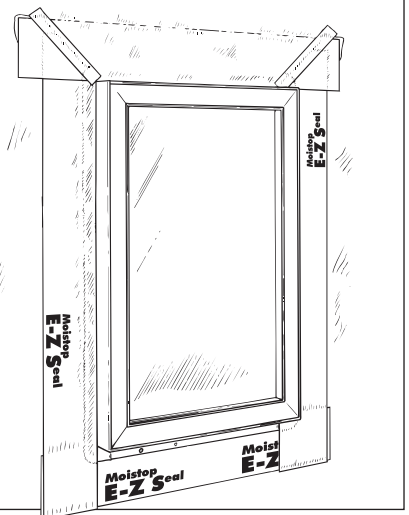
4 JAMB FLASHING



Prior to installing the jamb flashing wipe the jamb flange and weather barrier with a clean rag to ensure proper adhesion. Then cut two strips of flashing long enough to extend beyond the sill flashing and 2" below the top of the head flashing. Remove the release paper and align the flashing flush against the window frame with the adhesive strip covering the entire window flange. Follow this procedure for the other side of the window.

OVERVIEW

This recommendation refers to the most commonly used types of windows (surface mounted). For other types of frames, special attention should be paid to the window manufacturer's instructions.



Call 1-800-773-4777 Nationwide for Technical Assistance or visit our website at www.fortifiber.com

